

Description

- Special usage in TGP Forte T&T systems with tilt from bottom and TGP Focus4 lock with connection part.
- Easy usage in double leaf window with TGP Forte T&T systems
This product can be used with corner transmission for passive side both up&down and also active side down.
- Extra security and less heat loss thanks to this product.

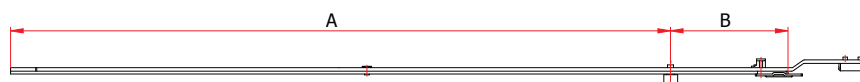
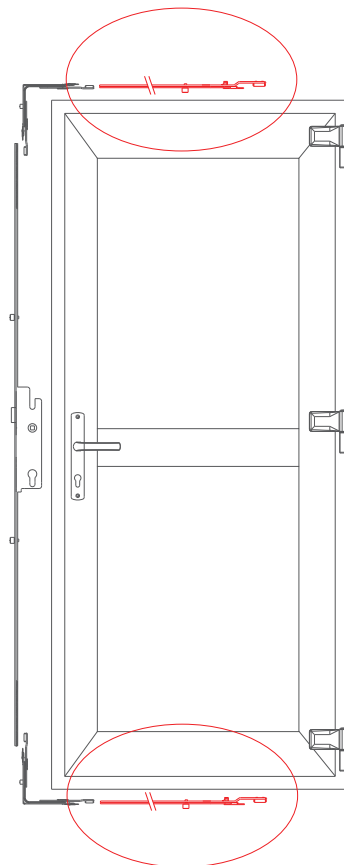
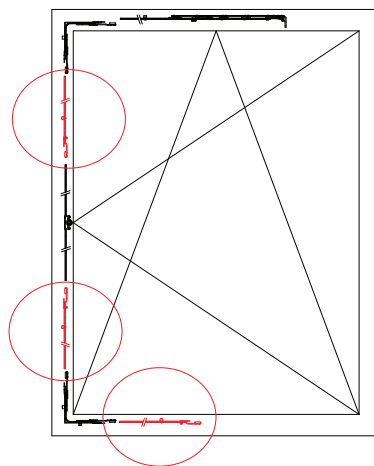
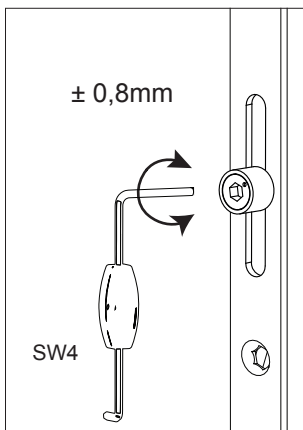
Technical Data

Faceplate (mm): 16

Material Specification

Drive Gear : Steel acc. EN 10149/zinc plated

Technical Drawing



PG	Code	Dimension	A	B		
T1	T-10189-63-0-1	420-630	535	95	1	10