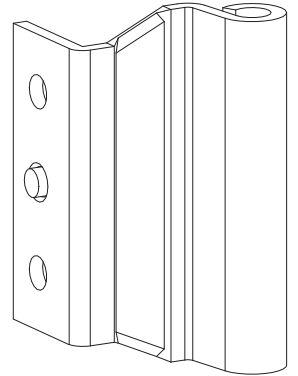


## Description

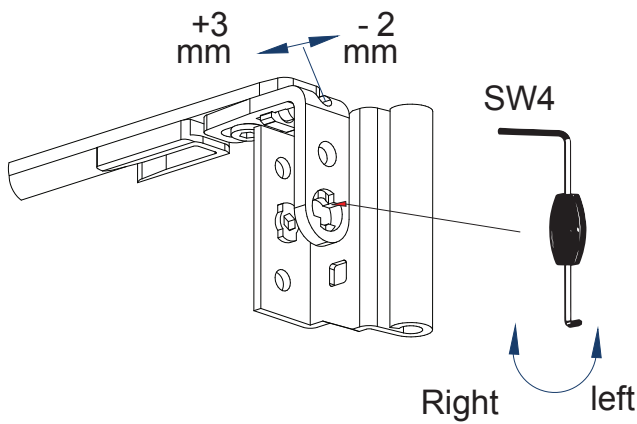
- Can be used for left hand or right hand systems.
- The hinge has a special design on the portion where it comes in contact with the seal gasket in order to reduce the artificial tension in the system to improve the isolation.
- Thanks to the adjustable screw, hinge for stay arm can be adjusted left or right ( L / R ) by using a 4 mm allen wrench.
- The friction between the axel and the hinge is reduced due to the plastic bush. This way, the unaesthetic span steel will no longer appear on the frame.



## Material Specification

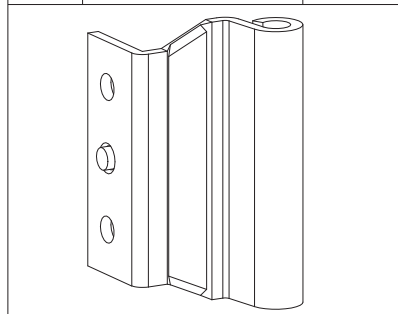
Body : Steel

## Technical Drawing



### Hinge

PG	Code	
T1	T-10186-08-22-1	20



### Covers

PG	Code	
T1	T-10185-11-0-*	100

