

Description

- TGP Forza Junior 3D hinge is the ideal solution for standard PVC doors
- Right hand and left hand applicable.
- The plastic adjustment parts can be used between hinge and profile to have additional 3 mm upstand.
- Available colours are RAL 9016, RAL 8022, RAL 8017 and RAL 8003.
- Adjustments

Sealing Pressure : + - 1,5 mm
 Height : + 3 mm
 Horizontal : + - 6 mm

Technical Data

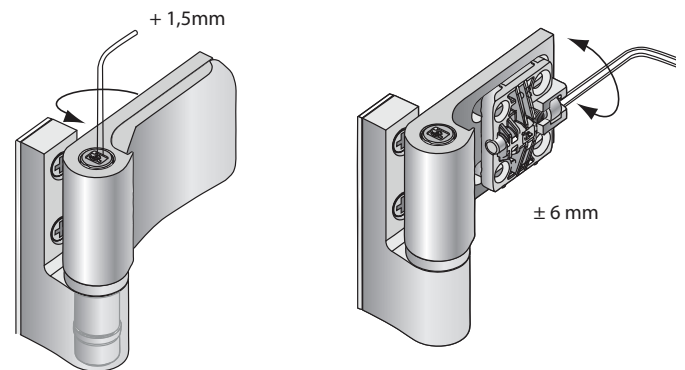
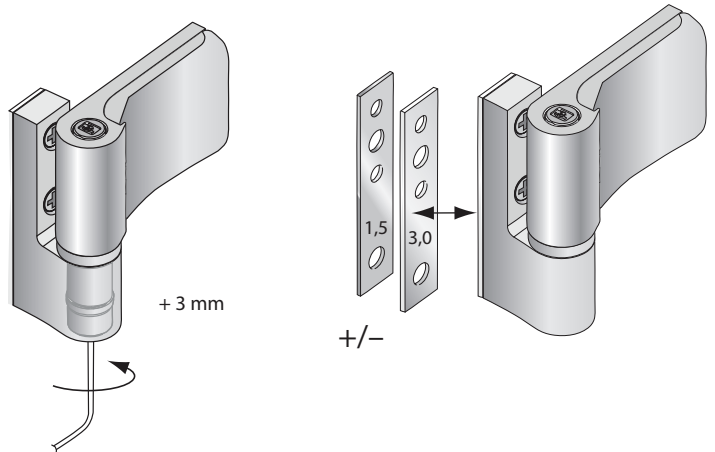
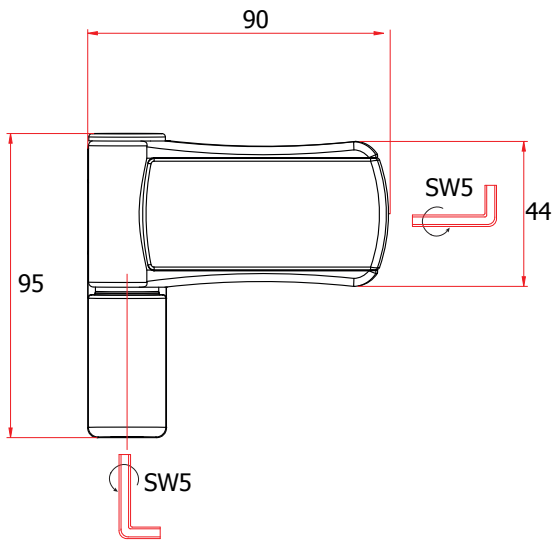
Load Capacity : 85 kg
 Hinge Size : 90 mm

Material Specification

Sash&Frame Parts : Zinc die cast Z13 to BS 1004
 Mounting Parts : High quality industrial plastic
 Pin : Mild steel
 Finish : Powder coated



Technical Drawing



TGP Forza Junior 3D Adjustable Door Hinge

PG	Code	Description	
T0	T-00310-09-0-5	RAL 8022	24
T0	T-00310-09-0-55	RAL 8017	24
T0	T-00310-09-0-56	RAL 8003	24
T0	T-00310-09-0-7	RAL 9016	24

PG	Code	Description	
T0	T-18911-00-0-0	Jig	1