

## Description

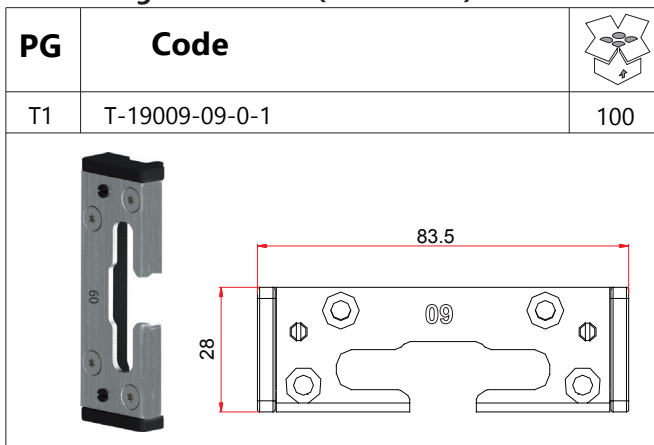
- The material of the locking plate is steel and plastic.
- The locking plates are designed to reduce friction and to have high security.

## Material Specification

Body : Steell and Industrial plastic



**Tilt Locking Plate 9 mm. (bottom tilt)**



**Tilt Locking Plate 13 mm. (bottom tilt)**

