

Description

- Special designed hinges for PVC systems.
- Right hand and left hand applicable.
- Covers are available RAL 9016, RAL 8022, RAL 9005 and RAL 8003 finish.
Ask for special colours.

- (5) Dark brown RAL 8022,
- (7) White RAL 9016,
- (95) Black RAL 9005
- (56) Light brown RAL 8003,



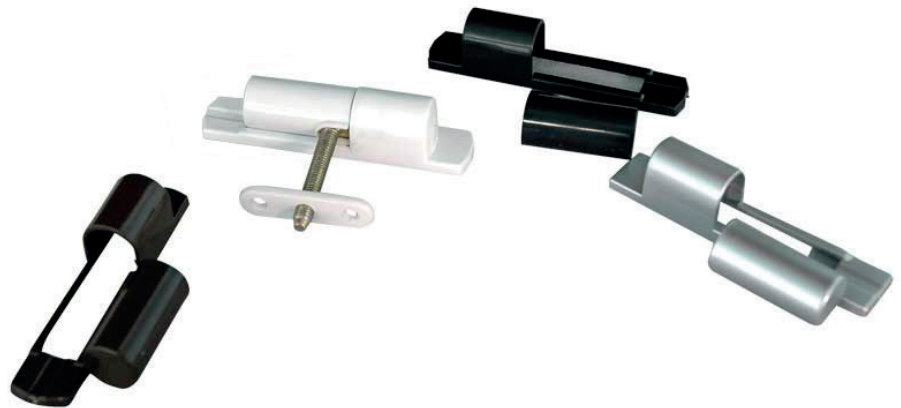
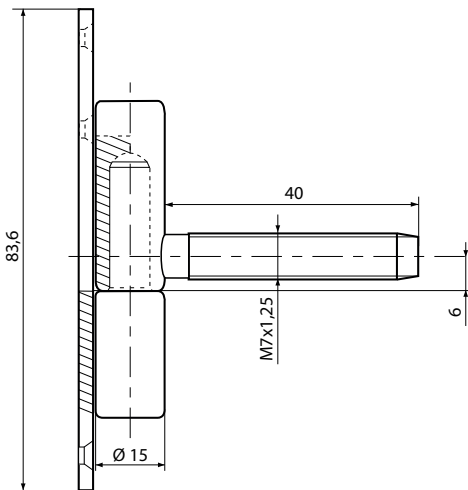
Technical Data

Load Capacity : 80 kg
Screw : M7 X 1,25


Material Specification

Body : Steel
Finish : Raw, assembled with coloured industrial plastic covers.

Technical Drawing



T151 Hinge for PVC

PG	Code	
T0	T-00151-00-0-*	100