

T / G / P

Strength
Reliability
Security

Intelligent Solutions For Your Comfort

Technical
Catalog

FIGURE	CODE	DESCRIPTION
	T-18110-00-**-*	<u>PVC Systems; Manual Set</u> with Handle
	T-18120-00-**-*	without Handle
	T-18125-00-**-*	<u>PVC Systems; Semi-Automatic Set</u> with Handle
	T-18130-00-**-*	without Handle
	A-18135-00-**-*	<u>ALU Systems Manual Set</u> with Handle
	A-18140-00-**-*	without Handle
	A-18145-00-**-*	<u>ALU Systems Semi-Automatic Set</u> with Handle
	A-18150-00-**-*	without Handle
	A-18155-00-**-*	<u>ALU Systems Euro Groove Manual Set</u> with Handle
	A-18160-00-**-*	without Handle
	A-18165-00-**-*	<u>ALU Systems Euro Groove Semi-Automatic Set</u> with Handle
	A-18170-00-**-*	without Handle

* 7: Ral 9016 - 5: Ral 8022 - 6: Ral 9006

** L: Left & R: Right

FIGURE	CODE	DESCRIPTION	
	T-18100-00-R-1 T-18100-00-L-1	130 Kg Roller Set Right 130 Kg Roller Set Left	
	Accessories KIT T-18101-00-0-*	130 Kg Roller Set Covers Right-Left	
		Cover Support Piece	
		Top Rail End Cover Set	
		Bottom Stopper Piece	
		Top Rail Stopper Piece	
		Bottom Rail Set Support Piece	
		Top Stay Arm Rail Connection Tool	
		Sash Tilt Piece	
		T-18103-00-0-1	Stay Arm Set
		T-18102-00-0-*	Stay Arm Cover Set
	T-18113-00-0-1	Top Connection Holder Set	

* 7 Ral 9016 - 5 Ral 8022 - 6 Ral 9006 ** L: Left & R: Right

FIGURE	CODE	DESCRIPTION
	T-44010-00-0-*	Parallel Sliding System Handle
	T-10181-00-0-1	Corner Transmission
	T-10181-02-0-1	Security Corner Transmission (for Manual PSS)
	T-19009-09-0-1 9 mm	Locking Plate (Bottom Tilt) for Manual PSS - PVC Systems
	T-19009-13-0-1 13 mm	
	A-01017-09-0-1 9 mm	Locking Plate (Bottom Tilt) for Manual PSS - ALU Systems
	A-01017-13-0-1 13 mm	
	T-18111-00-0-1	Semi-Automatic Corner Transmission Set
	T-18112-09-0-1 9 mm	Semi-Automatic Corner Transmission Locking Plate - PVC Systems
	T-18112-13-0-1 13 mm	
	A-18112-09-0-1 9 mm	Semi-Automatic Corner Transmission Locking Plate - ALU Systems
	A-18112-13-0-1 13 mm	
	T-10180-04-0-1	GR - 0 / 400 - 700
	T-10180-06-0-1	GR - 1 / 585 - 1000
	T-10180-09-0-1	GR - 2 / 885 - 1300
	T-10180-12-0-1	GR - 3 / 1185 - 1600
	T-10180-16-0-1	GR - 5 / 1585 - 2000
	T-10180-20-0-1	GR - 6 / 1985 - 2400

* 7 Ral 9016 - 5 Ral 8022 - 6 Ral 9006










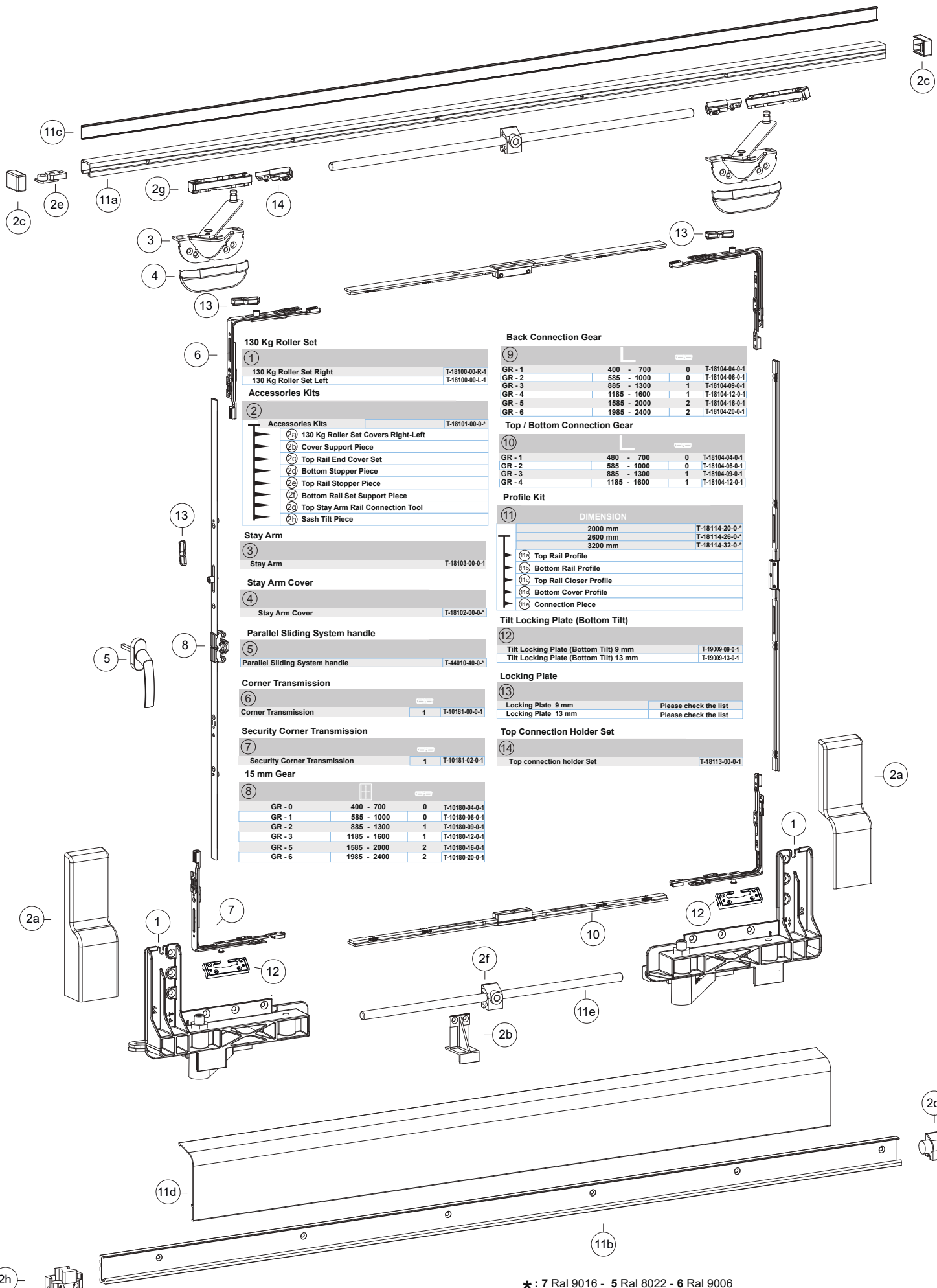
FIGURE	CODE	DESCRIPTION	
	T-10184-04-0-1	GR - 1 / 400 - 700	
	T-10184-06-0-1	GR - 2 / 585 - 1000	
	T-10184-09-0-1	GR - 3 / 885 - 1300	Back
	T-10184-12-0-1	GR - 4 / 1185 - 1600	Connection Gear
	T-10184-16-0-1	GR - 5 / 1585 - 2000	
	T-10184-20-0-1	GR - 6 / 1985 - 2400	
	T-10184-04-0-1	GR - 1 / 400 - 700	
	T-10184-06-0-1	GR - 2 / 585 - 1000	Top / Bottom
	T-10184-09-0-1	GR - 3 / 885 - 1300	Connection Gear
	T-10184-12-0-1	GR - 4 / 1185 - 1600	
  	T-18114-20-0-*	2000 mm	
	T-18114-26-0-*	2600 mm	
	T-18114-32-0-*	3200 mm	
 	A-18116-20-0-*	2000 mm	
	A-18116-26-0-*	2600 mm	
	A-18116-32-0-*	3200 mm	

FIGURE	CODE	DESCRIPTION
	<p>A-18115-00-0*</p>	<p>Support Part for Aluminium Systems</p>
	<p>T-18117-10-0*</p> <p>T-18117-13-0*</p> <p>T-18117-16-0*</p>	<p>Scissors Slider Set</p> <p>1000 mm</p> <p>1300 mm</p> <p>1600 mm</p>



130 Kg Roller Set

130 Kg Roller Set Right	T-18100-00-R-1
130 Kg Roller Set Left	T-18100-00-L-1

Accessories Kits

Accessories Kits	T-18101-00-0-*
2a) 130 Kg Roller Set Covers Right-Left	
2b) Cover Support Piece	
2c) Top Rail End Cover Set	
2d) Bottom Stopper Piece	
2e) Top Rail Stopper Piece	
2f) Bottom Rail Set Support Piece	
2g) Top Stay Arm Rail Connection Tool	
2h) Sash Tilt Piece	

Stay Arm

Stay Arm	T-18103-00-0-1
----------	----------------

Stay Arm Cover

Stay Arm Cover	T-18102-00-0-*
----------------	----------------

Parallel Sliding System handle

Parallel Sliding System handle	T-44010-40-0-*
--------------------------------	----------------

Corner Transmission

Corner Transmission	1	T-10181-00-0-1
---------------------	---	----------------

Security Corner Transmission

Security Corner Transmission	1	T-10181-02-0-1
------------------------------	---	----------------

15 mm Gear

GR - 0	400 - 700	0	T-10180-04-0-1
GR - 1	585 - 1000	0	T-10180-06-0-1
GR - 2	885 - 1300	1	T-10180-09-0-1
GR - 3	1185 - 1600	1	T-10180-12-0-1
GR - 5	1585 - 2000	2	T-10180-16-0-1
GR - 6	1985 - 2400	2	T-10180-20-0-1

Back Connection Gear

GR - 1	400 - 700	0	T-18104-04-0-1
GR - 2	585 - 1000	0	T-18104-06-0-1
GR - 3	885 - 1300	1	T-18104-09-0-1
GR - 4	1185 - 1600	1	T-18104-12-0-1
GR - 5	1585 - 2000	2	T-18104-16-0-1
GR - 6	1985 - 2400	2	T-18104-20-0-1

Top / Bottom Connection Gear

GR - 1	480 - 700	0	T-18104-04-0-1
GR - 2	585 - 1000	0	T-18104-06-0-1
GR - 3	885 - 1300	1	T-18104-09-0-1
GR - 4	1185 - 1600	1	T-18104-12-0-1

Profile Kit

DIMENSION	
2000 mm	T-18114-20-0-*
2600 mm	T-18114-26-0-*
3200 mm	T-18114-32-0-*

- 11a) Top Rail Profile
- 11b) Bottom Rail Profile
- 11c) Top Rail Closer Profile
- 11d) Bottom Cover Profile
- 11e) Connection Piece

Tilt Locking Plate (Bottom Tilt)

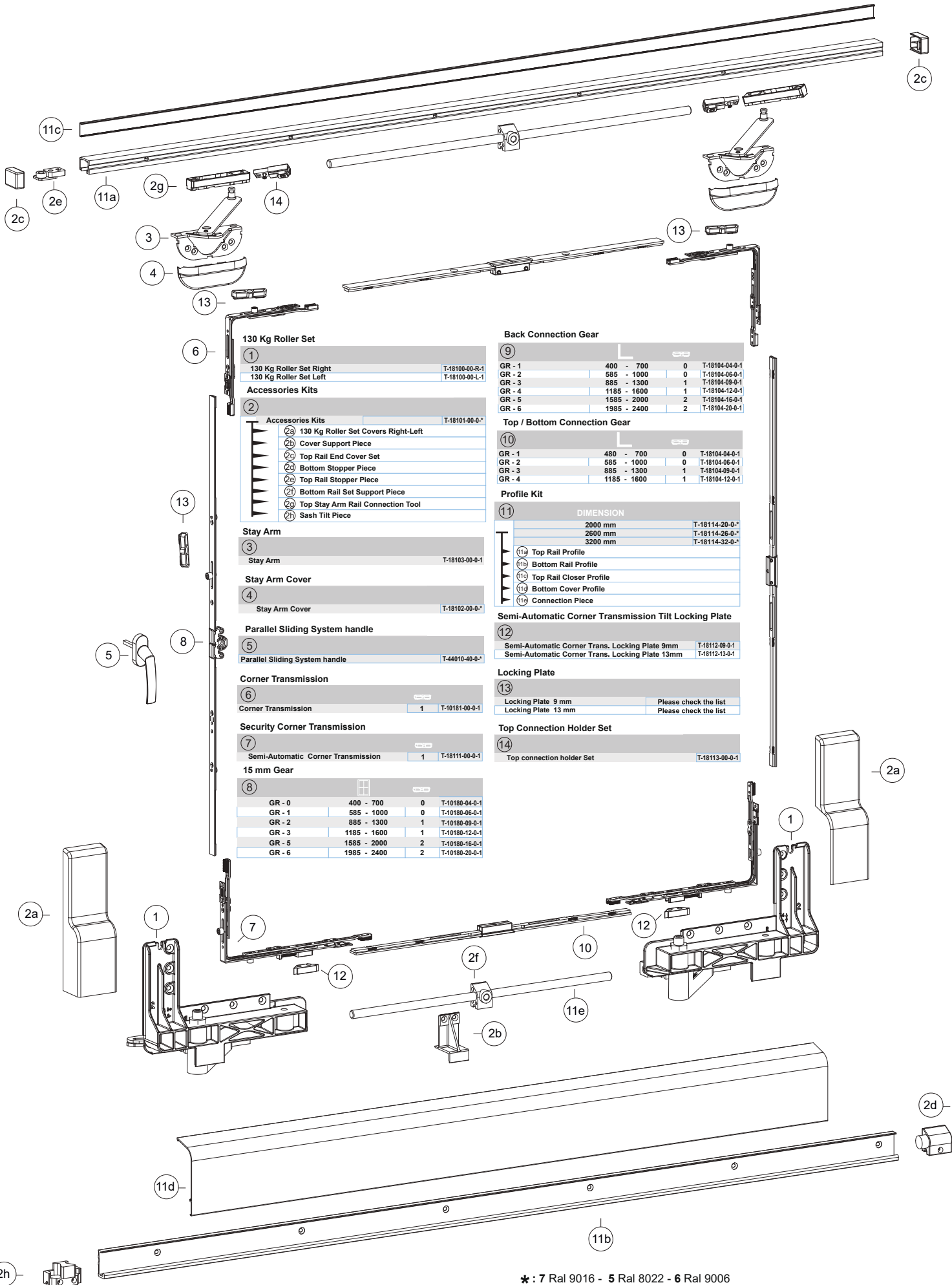
Tilt Locking Plate (Bottom Tilt) 9 mm	T-19009-09-0-1
Tilt Locking Plate (Bottom Tilt) 13 mm	T-19009-13-0-1

Locking Plate

Locking Plate 9 mm	Please check the list
Locking Plate 13 mm	Please check the list

Top Connection Holder Set

Top connection holder Set	T-18113-00-0-1
---------------------------	----------------



130 Kg Roller Set

130 Kg Roller Set Right	T-18100-00-R-1
130 Kg Roller Set Left	T-18100-00-L-1

Accessories Kits

2a	130 Kg Roller Set Covers Right-Left	T-18101-00-0-*
2b	Cover Support Piece	
2c	Top Rail End Cover Set	
2d	Bottom Stopper Piece	
2e	Top Rail Stopper Piece	
2f	Bottom Rail Set Support Piece	
2g	Top Stay Arm Rail Connection Tool	
2h	Sash Tilt Piece	

Stay Arm

Stay Arm	T-18103-00-0-1
----------	----------------

Stay Arm Cover

Stay Arm Cover	T-18102-00-0-*
----------------	----------------

Parallel Sliding System handle

Parallel Sliding System handle	T-44010-40-0-*
--------------------------------	----------------

Corner Transmission

Corner Transmission	1	T-10181-00-0-1
---------------------	---	----------------

Security Corner Transmission

Semi-Automatic Corner Transmission	1	T-18111-00-0-1
------------------------------------	---	----------------

15 mm Gear

GR - 0	400 - 700	0	T-10180-04-0-1
GR - 1	585 - 1000	0	T-10180-06-0-1
GR - 2	885 - 1300	1	T-10180-09-0-1
GR - 3	1185 - 1600	1	T-10180-12-0-1
GR - 5	1585 - 2000	2	T-10180-16-0-1
GR - 6	1985 - 2400	2	T-10180-20-0-1

Back Connection Gear

GR - 1	400 - 700	0	T-18104-04-0-1
GR - 2	585 - 1000	0	T-18104-06-0-1
GR - 3	885 - 1300	1	T-18104-09-0-1
GR - 4	1185 - 1600	1	T-18104-12-0-1
GR - 5	1585 - 2000	2	T-18104-16-0-1
GR - 6	1985 - 2400	2	T-18104-20-0-1

Top / Bottom Connection Gear

GR - 1	480 - 700	0	T-18104-04-0-1
GR - 2	585 - 1000	0	T-18104-06-0-1
GR - 3	885 - 1300	1	T-18104-09-0-1
GR - 4	1185 - 1600	1	T-18104-12-0-1

Profile Kit

DIMENSION		
2000 mm		T-18114-20-0-*
2500 mm		T-18114-25-0-*
3200 mm		T-18114-32-0-*

11a Top Rail Profile
11b Bottom Rail Profile
11c Top Rail Closer Profile
11d Bottom Cover Profile
11e Connection Piece

Semi-Automatic Corner Transmission Tilt Locking Plate

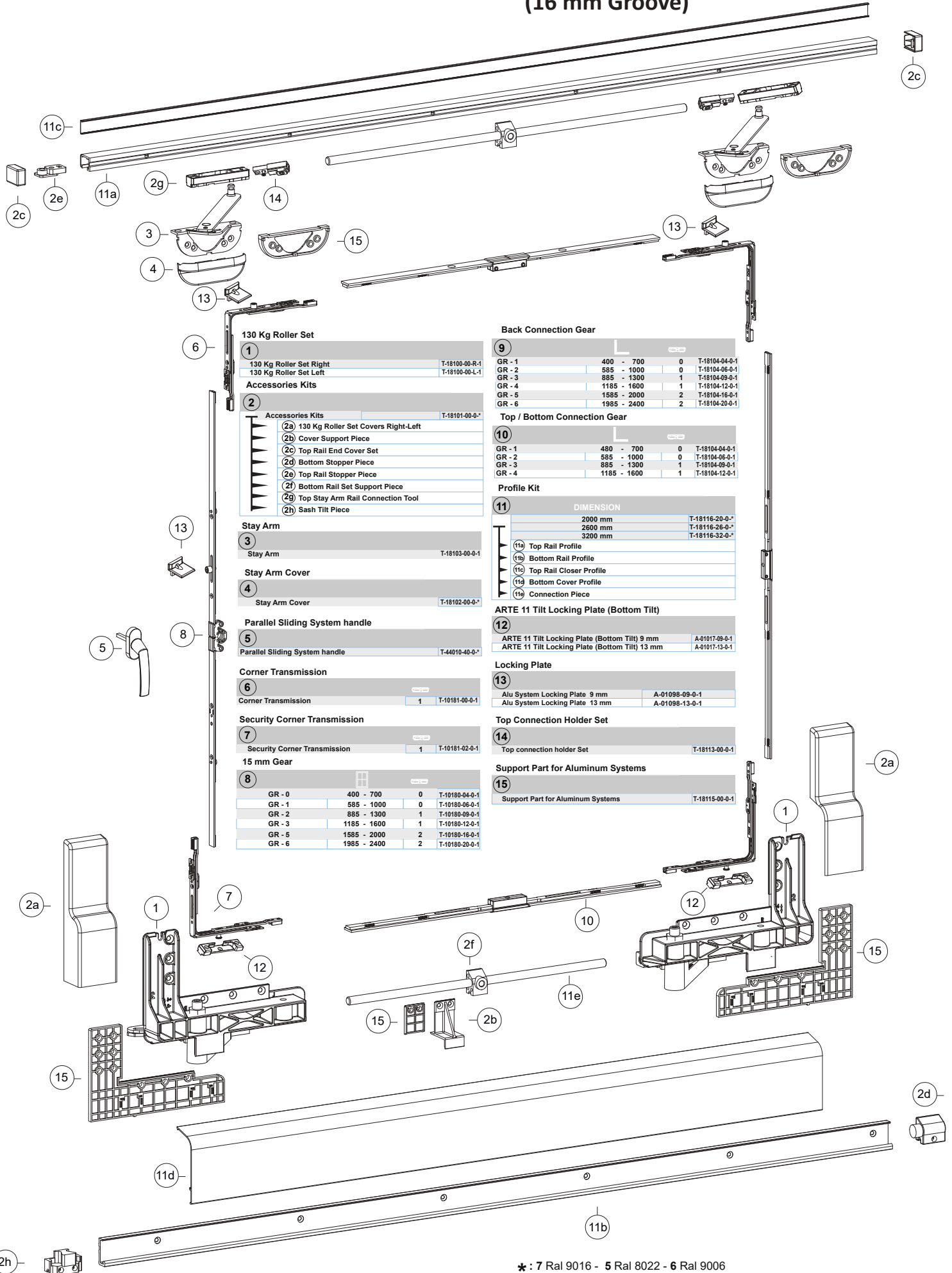
Semi-Automatic Corner Trans. Locking Plate 9mm	T-18112-09-0-1
Semi-Automatic Corner Trans. Locking Plate 13mm	T-18112-13-0-1

Locking Plate

Locking Plate 9 mm	Please check the list
Locking Plate 13 mm	Please check the list

Top Connection Holder Set

Top connection holder Set	T-18113-00-0-1
---------------------------	----------------



130 Kg Roller Set

1	130 Kg Roller Set Right	T-18100-00-R-1
	130 Kg Roller Set Left	T-18100-00-L-1

Accessories Kits

2	Accessories Kits	T-18101-00-0-*
	(2a) 130 Kg Roller Set Covers Right-Left	
	(2b) Cover Support Piece	
	(2c) Top Rail End Cover Set	
	(2d) Bottom Stopper Piece	
	(2e) Top Rail Stopper Piece	
	(2f) Bottom Rail Set Support Piece	
	(2g) Top Stay Arm Rail Connection Tool	
	(2h) Sash Tilt Piece	

Stay Arm

3	Stay Arm	T-18103-00-0-1
----------	----------	----------------

Stay Arm Cover

4	Stay Arm Cover	T-18102-00-0-*
----------	----------------	----------------

Parallel Sliding System handle

5	Parallel Sliding System handle	T-44010-40-0-*
----------	--------------------------------	----------------

Corner Transmission

6	Corner Transmission	1 T-10181-00-0-1
----------	---------------------	------------------

Security Corner Transmission

7	Security Corner Transmission	1 T-10181-02-0-1
----------	------------------------------	------------------

15 mm Gear

8	GR - 0	400 - 700	0	T-10180-04-0-1
	GR - 1	585 - 1000	0	T-10180-06-0-1
	GR - 2	885 - 1300	1	T-10180-09-0-1
	GR - 3	1185 - 1600	1	T-10180-12-0-1
	GR - 5	1585 - 2000	2	T-10180-16-0-1
	GR - 6	1985 - 2400	2	T-10180-20-0-1

Back Connection Gear

9	GR - 1	400 - 700	0	T-18104-04-0-1
	GR - 2	585 - 1000	0	T-18104-06-0-1
	GR - 3	885 - 1300	1	T-18104-09-0-1
	GR - 4	1185 - 1600	1	T-18104-12-0-1
	GR - 5	1585 - 2000	2	T-18104-16-0-1
	GR - 6	1985 - 2400	2	T-18104-20-0-1

Top / Bottom Connection Gear

10	GR - 1	480 - 700	0	T-18104-04-0-1
	GR - 2	585 - 1000	0	T-18104-06-0-1
	GR - 3	885 - 1300	1	T-18104-09-0-1
	GR - 4	1185 - 1600	1	T-18104-12-0-1

Profile Kit

11	DIMENSION	
	2000 mm	T-18116-20-0-*
	2600 mm	T-18116-26-0-*
	3200 mm	T-18116-32-0-*
	(11a) Top Rail Profile	
	(11b) Bottom Rail Profile	
	(11c) Top Rail Closer Profile	
	(11d) Bottom Cover Profile	
	(11e) Connection Piece	

ARTE 11 Tilt Locking Plate (Bottom Tilt)

12	ARTE 11 Tilt Locking Plate (Bottom Tilt) 9 mm	A-01017-09-0-1
	ARTE 11 Tilt Locking Plate (Bottom Tilt) 13 mm	A-01017-13-0-1

Locking Plate

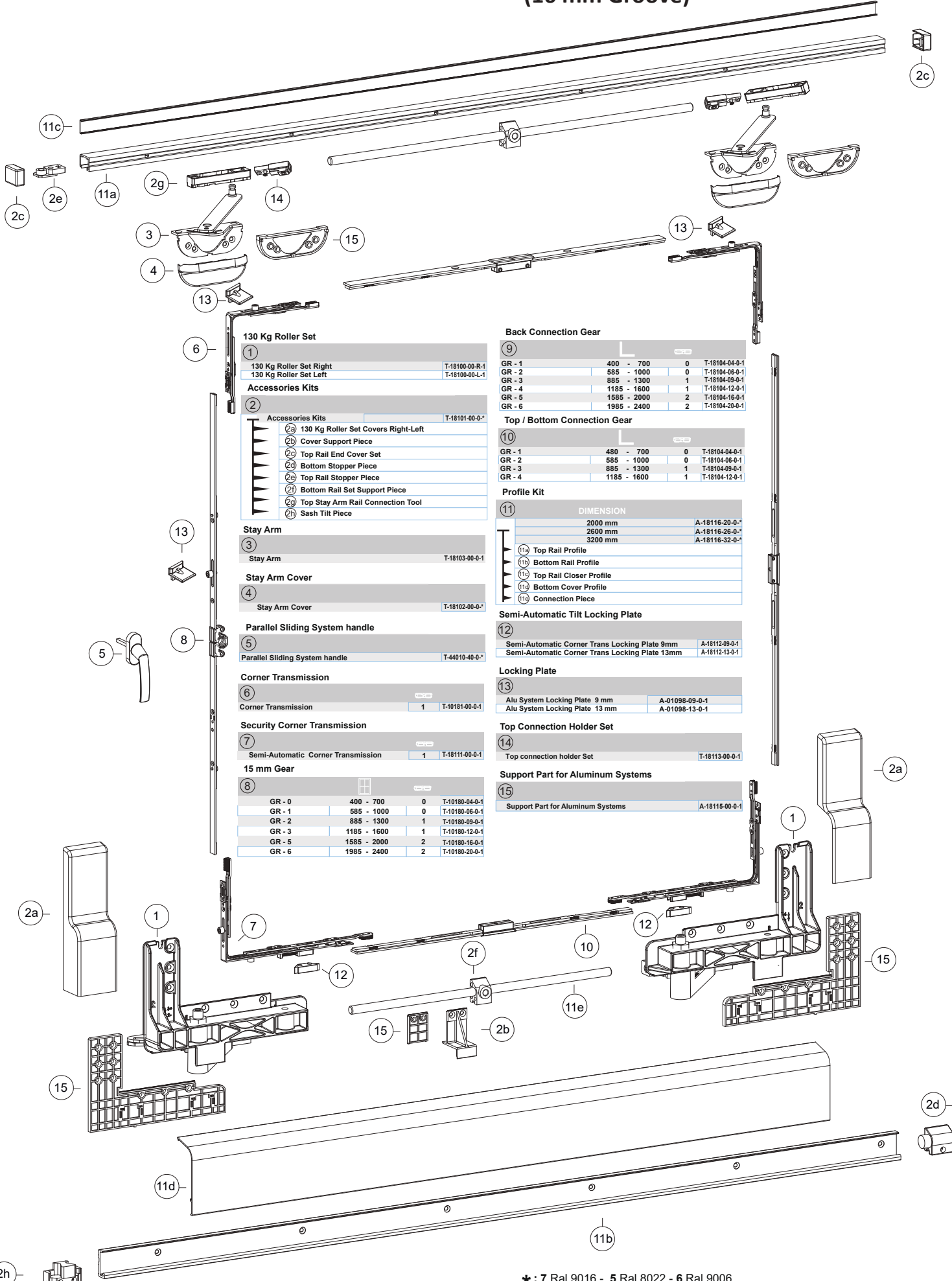
13	Alu System Locking Plate 9 mm	A-01098-09-0-1
	Alu System Locking Plate 13 mm	A-01098-13-0-1

Top Connection Holder Set

14	Top connection holder Set	T-18113-00-0-1
-----------	---------------------------	----------------

Support Part for Aluminum Systems

15	Support Part for Aluminum Systems	T-18115-00-0-1
-----------	-----------------------------------	----------------



130 Kg Roller Set			
130 Kg Roller Set Right			T-18100-00-R-1
130 Kg Roller Set Left			T-18100-00-L-1
Accessories Kits			
2	Accessories Kits		T-18101-00-0-*
2a	130 Kg Roller Set Covers Right-Left		
2b	Cover Support Piece		
2c	Top Rail End Cover Set		
2d	Bottom Stopper Piece		
2e	Top Rail Stopper Piece		
2f	Bottom Rail Set Support Piece		
2g	Top Stay Arm Rail Connection Tool		
2h	Sash Tilt Piece		
Stay Arm			
3	Stay Arm		T-18103-00-0-1
Stay Arm Cover			
4	Stay Arm Cover		T-18102-00-0-*
Parallel Sliding System handle			
5	Parallel Sliding System handle		T-44010-40-0-*
Corner Transmission			
6	Corner Transmission	1	T-10181-00-0-1
Security Corner Transmission			
7	Semi-Automatic Corner Transmission	1	T-18111-00-0-1
15 mm Gear			
GR - 0	400 - 700	0	T-10180-04-0-1
GR - 1	585 - 1000	0	T-10180-06-0-1
GR - 2	885 - 1300	1	T-10180-09-0-1
GR - 3	1185 - 1600	1	T-10180-12-0-1
GR - 5	1585 - 2000	2	T-10180-16-0-1
GR - 6	1985 - 2400	2	T-10180-20-0-1

Back Connection Gear			
GR - 1	400 - 700	0	T-18104-04-0-1
GR - 2	585 - 1000	0	T-18104-06-0-1
GR - 3	885 - 1300	1	T-18104-09-0-1
GR - 4	1185 - 1600	1	T-18104-12-0-1
GR - 5	1585 - 2000	2	T-18104-16-0-1
GR - 6	1985 - 2400	2	T-18104-20-0-1
Top / Bottom Connection Gear			
GR - 1	480 - 700	0	T-18104-04-0-1
GR - 2	585 - 1000	0	T-18104-06-0-1
GR - 3	885 - 1300	1	T-18104-09-0-1
GR - 4	1185 - 1600	1	T-18104-12-0-1
Profile Kit			
DIMENSION			
	2000 mm		A-18116-20-0-*
	2500 mm		A-18116-25-0-*
	3200 mm		A-18116-32-0-*
11a	Top Rail Profile		
11b	Bottom Rail Profile		
11c	Top Rail Closer Profile		
11d	Bottom Cover Profile		
11e	Connection Piece		
Semi-Automatic Tilt Locking Plate			
12	Semi-Automatic Corner Trans Locking Plate 9mm		A-18112-09-0-1
	Semi-Automatic Corner Trans Locking Plate 13mm		A-18112-13-0-1
Locking Plate			
13	Alu System Locking Plate 9 mm		A-01098-09-0-1
	Alu System Locking Plate 13 mm		A-01098-13-0-1
Top Connection Holder Set			
14	Top connection holder Set		T-18113-00-0-1
Support Part for Aluminum Systems			
15	Support Part for Aluminum Systems		A-18115-00-0-1













FIGURE	CODE	DESCRIPTION	
	T-18100-00-R-1 T-18100-00-L-1	130 Kg Roller Set Right 130 Kg Roller Set Left	
	Accessories KIT T-18101-00-0-*	130 Kg Roller Set Covers Right-Left	
		Cover Support Piece	
		Top Rail End Cover Set	
		Bottom Stopper Piece	
		Top Rail Stopper Piece	
		Bottom Rail Set Support Piece	
		Top Stay Arm Rail Connection Tool	
		Sash Tilt Piece	
		T-18103-00-0-1	Stay Arm Set
		T-18102-00-0-*	Stay Arm Cover Set
	T-18113-00-0-1	Top Connection Holder Set	







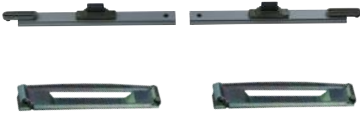
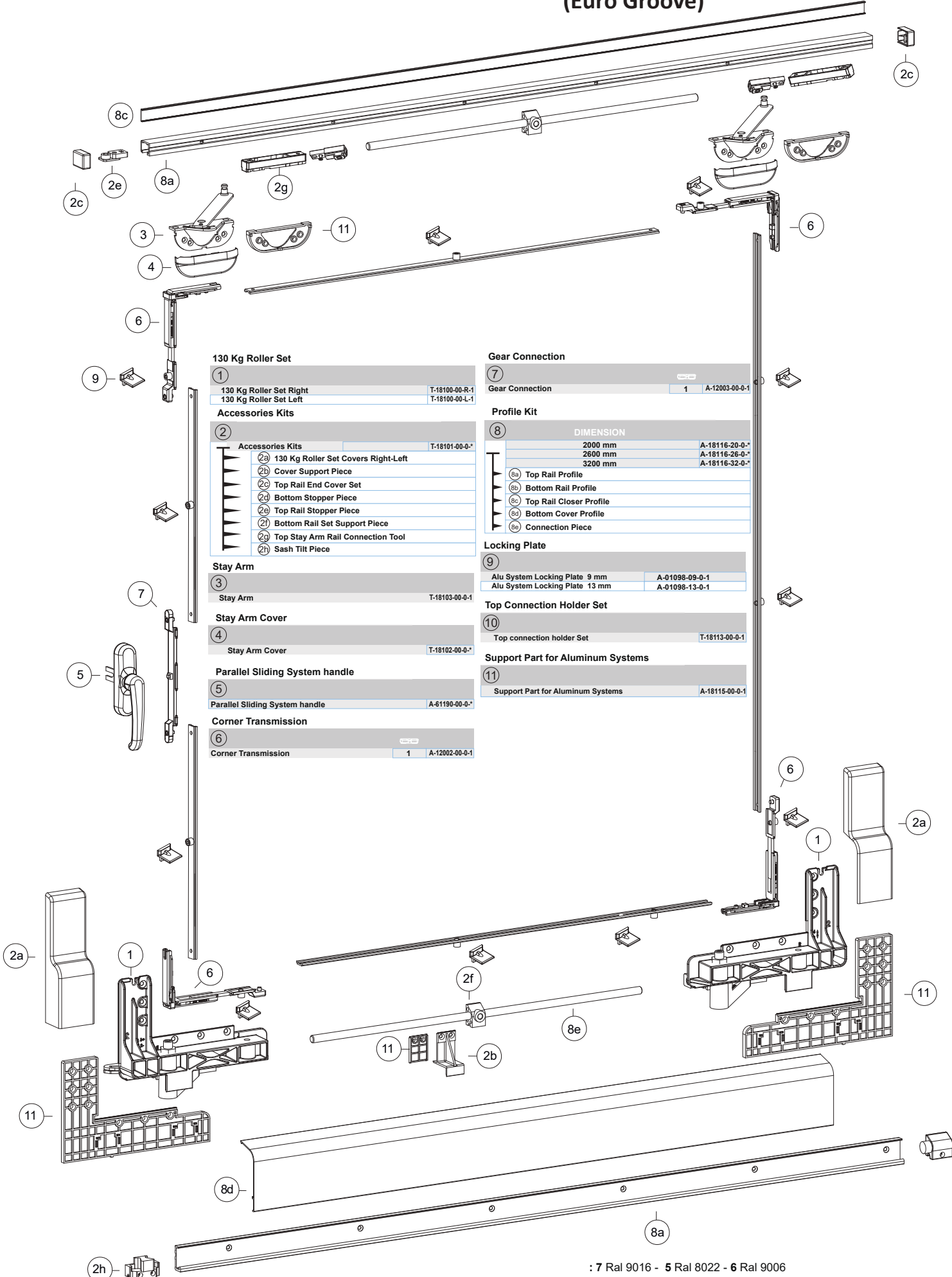
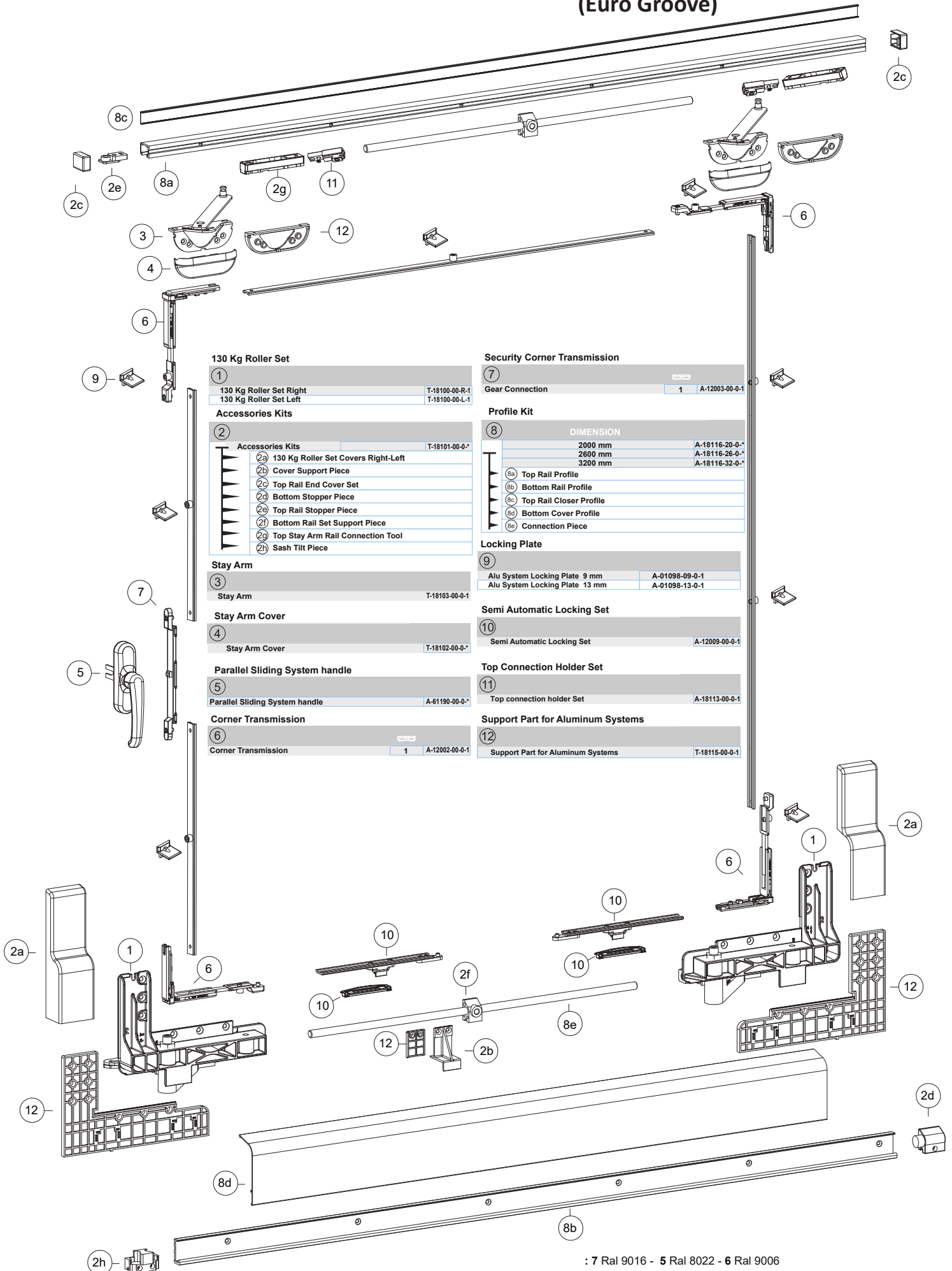
FIGURE	CODE	DESCRIPTION
	A-61190-00-0-*	Parallel Sliding System Handle
	A-12002-00-0-1	Corner Transmission
	A-12003-00-0-1	Gear Connection
	A-01098-09-0-1 9 mm	Alu Systems Locking Plate
	A-01098-13-0-1 13 mm	
	<p>A-18116-20-0-*</p> <p>A-18116-26-0-*</p> <p>A-18116-32-0-*</p>	<p>Profile KIT for ALU Systems</p> <p>2000 mm</p> <p>2600 mm</p> <p>3200 mm</p>

FIGURE	CODE	DESCRIPTION
	<p>A-18115-00-0-*</p>	<p>Support Part for Aluminium Systems</p>
	<p>A-12009-00-0-1</p>	<p>Semi-Automatic Locking Set</p>



130 Kg Roller Set		
130 Kg Roller Set Right	T-18100-00-R-1	
130 Kg Roller Set Left	T-18100-00-L-1	
Accessories Kits		
Accessories Kits	T-18101-00-0-*	
2a) 130 Kg Roller Set Covers Right-Left		
2b) Cover Support Piece		
2c) Top Rail End Cover Set		
2d) Bottom Stopper Piece		
2e) Top Rail Stopper Piece		
2f) Bottom Rail Set Support Piece		
2g) Top Stay Arm Rail Connection Tool		
2h) Sash Tilt Piece		
Stay Arm		
Stay Arm	T-18103-00-0-1	
Stay Arm Cover		
Stay Arm Cover	T-18102-00-0-*	
Parallel Sliding System handle		
Parallel Sliding System handle	A-61190-00-0-*	
Corner Transmission		
Corner Transmission	1	A-12002-00-0-1

7 Gear Connection		
Gear Connection	1	A-12003-00-0-1
8 Profile Kit		
DIMENSION		
	2000 mm	A-18116-20-0-*
	2600 mm	A-18116-26-0-*
	3200 mm	A-18116-32-0-*
8a) Top Rail Profile		
8b) Bottom Rail Profile		
8c) Top Rail Closer Profile		
8d) Bottom Cover Profile		
8e) Connection Piece		
9 Locking Plate		
Alu System Locking Plate 9 mm	A-01098-09-0-1	
Alu System Locking Plate 13 mm	A-01098-13-0-1	
10 Top Connection Holder Set		
Top connection holder Set	T-18113-00-0-1	
11 Support Part for Aluminum Systems		
Support Part for Aluminum Systems	A-18115-00-0-1	



130 Kg Roller Set

1	130 Kg Roller Set Right	T-18100-00-R-1
	130 Kg Roller Set Left	T-18100-00-L-1

Accessories Kits

2	Accessories Kits	T-18101-00-0-*
2a	130 Kg Roller Set Covers Right-Left	
2b	Cover Support Piece	
2c	Top Rail End Cover Set	
2d	Bottom Stopper Piece	
2e	Top Rail Stopper Piece	
2f	Bottom Rail Set Support Piece	
2g	Top Stay Arm Rail Connection Tool	
2h	Sash Tilt Piece	

Stay Arm

3	Stay Arm	T-18103-00-0-1
---	----------	----------------

Stay Arm Cover

4	Stay Arm Cover	T-18102-00-0-*
---	----------------	----------------

Parallel Sliding System handle

5	Parallel Sliding System handle	A-61190-00-0-*
---	--------------------------------	----------------

Corner Transmission

6	Corner Transmission	1 A-12002-00-0-1
---	---------------------	------------------

Security Corner Transmission

7	Gear Connection	1 A-12003-00-0-1
---	-----------------	------------------

Profile Kit

DIMENSION	
2000 mm	A-18116-20-0-*
2600 mm	A-18116-26-0-*
3200 mm	A-18116-32-0-*

- 8a Top Rail Profile
- 8b Bottom Rail Profile
- 8c Top Rail Closer Profile
- 8d Bottom Cover Profile
- 8e Connection Piece

Locking Plate

9	Alu System Locking Plate 9 mm	A-01098-09-0-1
	Alu System Locking Plate 13 mm	A-01098-13-0-1

Semi Automatic Locking Set

10	Semi Automatic Locking Set	A-12009-00-0-1
----	----------------------------	----------------

Top Connection Holder Set

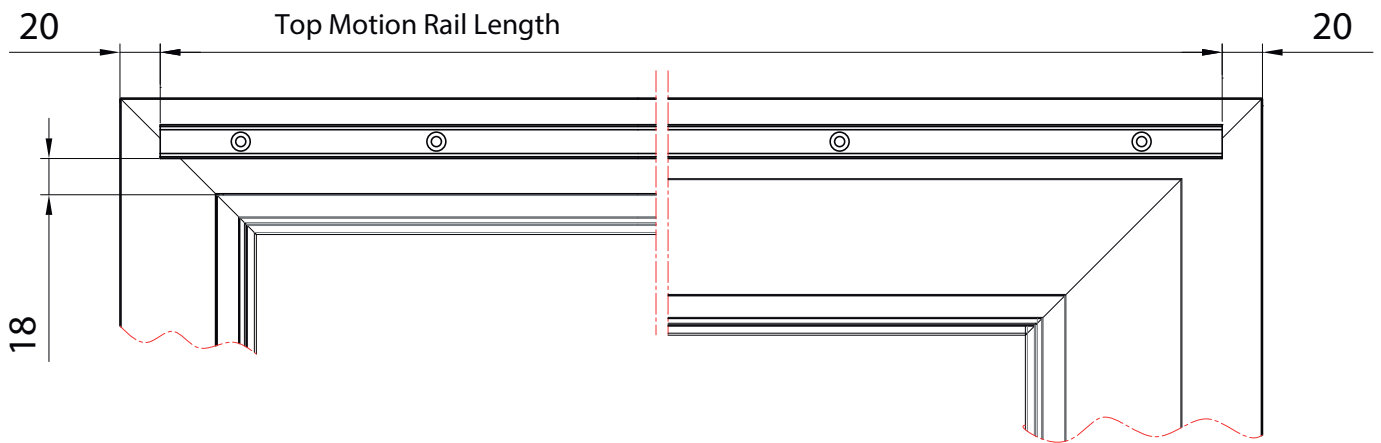
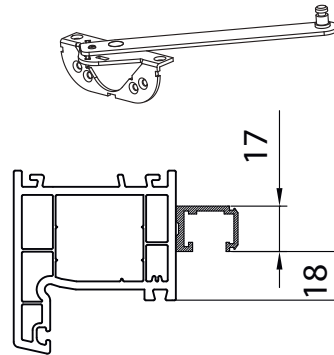
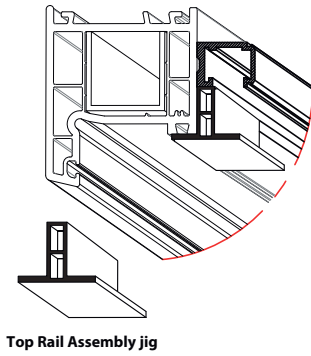
11	Top connection holder Set	A-18113-00-0-1
----	---------------------------	----------------

Support Part for Aluminum Systems

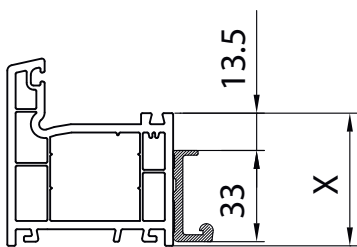
12	Support Part for Aluminum Systems	T-18115-00-0-1
----	-----------------------------------	----------------

Top Motion Rail Assembly

Top Rail Assembly sizes for Manuel P.S. Top

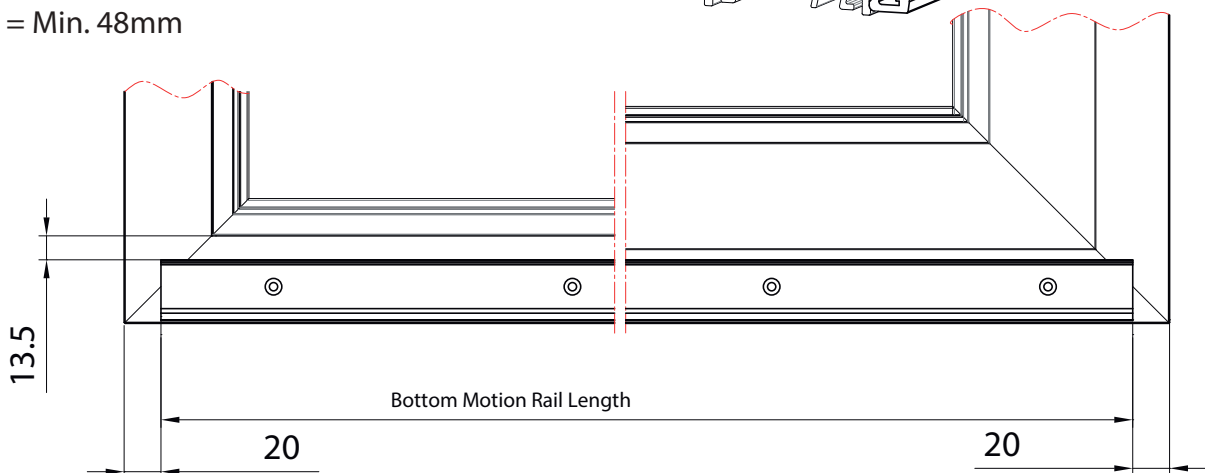
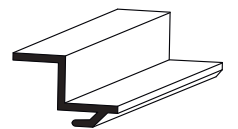
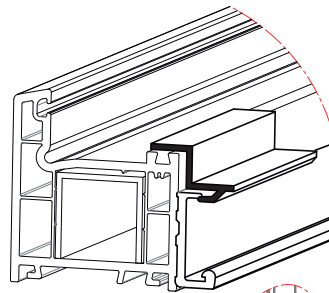


Bottom Motion Rail Assembly



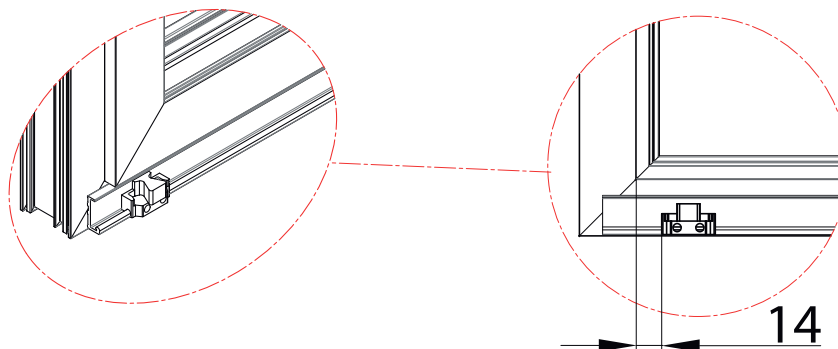
Assembly sizes for Bottom Rail

X = Min. 48mm



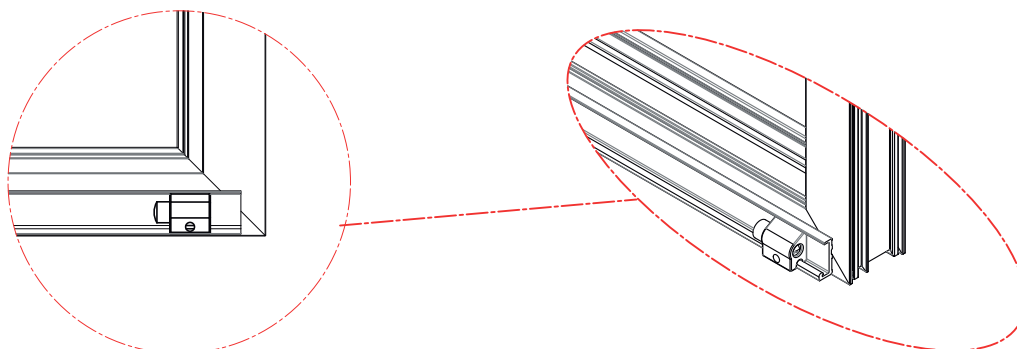
Locking Template Assembly

- a- Locking Template should be assembled with a 4mm allen wrench, 14mm near the frame's inside corner by the direction that the sash closes.
- b- After all the steps of assembling profile is done, last locking should be done.



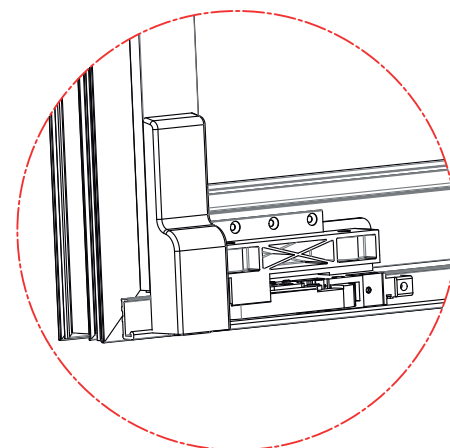
Bottom Pad Assembly

- a- After adjusting the bottom pad (left-right) in respect to your will of how wide you want the sash to open, you assemble it with a 4mm allen wrench.



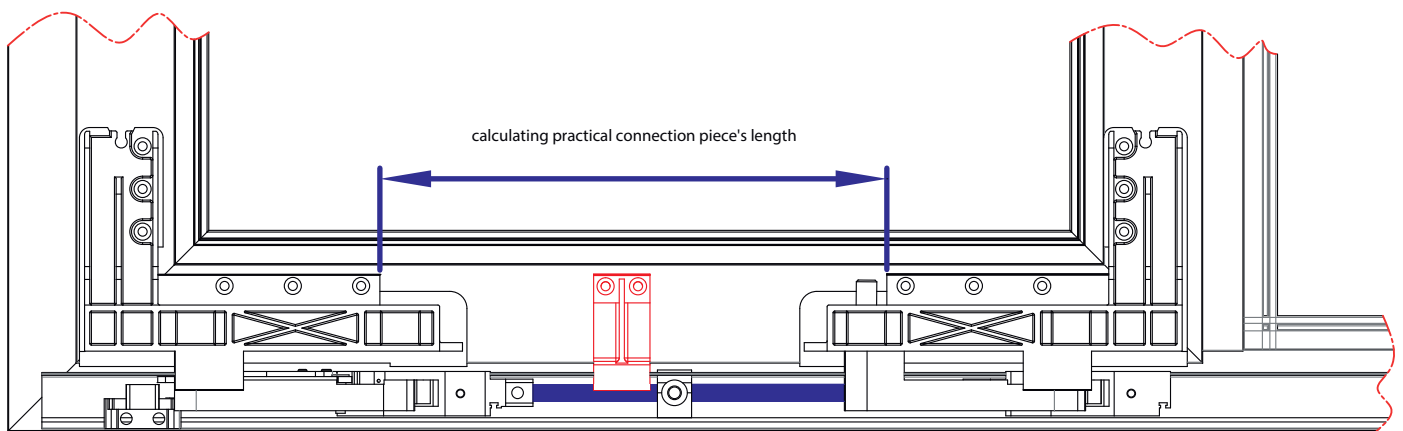
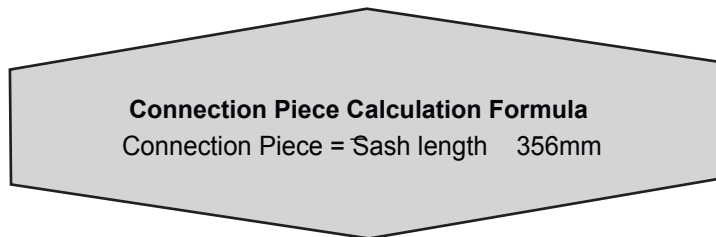
Front and Back Rollers Assembly

- a- Before taking off the plastic cover of front and back rollers, you should level them near the sash.
- b- After leveling them, bottom flaps of rollers should be leaning bottom of sash and then screwed.
- c- Covers of front and back rollers should be taken out and then the rest of the holes should be screwed.

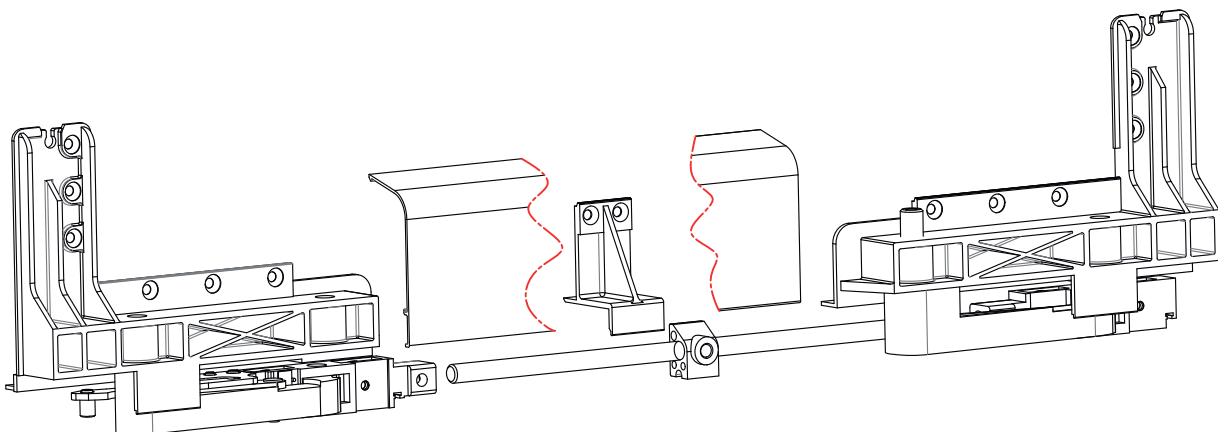


Connection Piece Assembly

a- Connection Piece's length should be calculated in respect to the formula below and then cut accordingly.

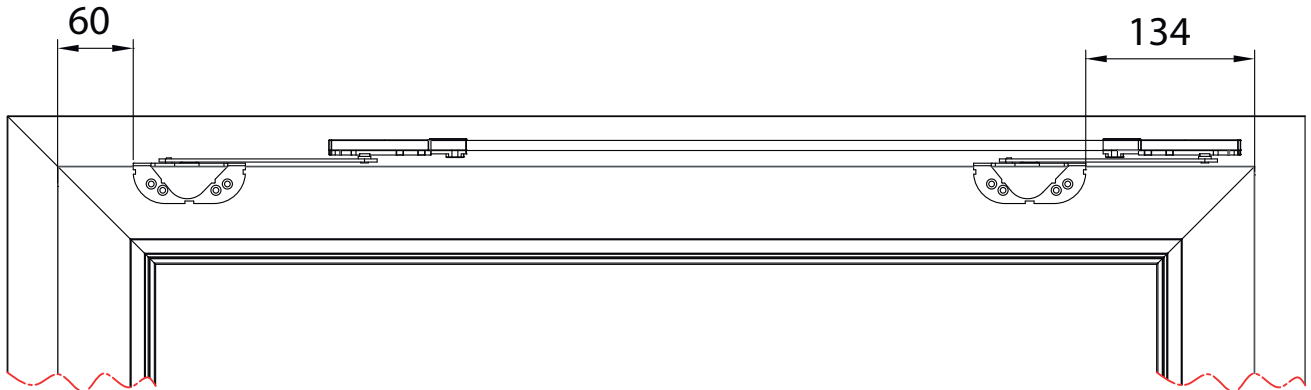


- b-** Connection piece should be connected to the support template by bottom connection piece and connection piece's ends should be fixed to front and back rollers, and locked.
- c-** Two sides should be checked in order to be parallel and assemble with a 4mm allen wrench.
- d-** Cover support piece should be screwed in a middle position between rollers.



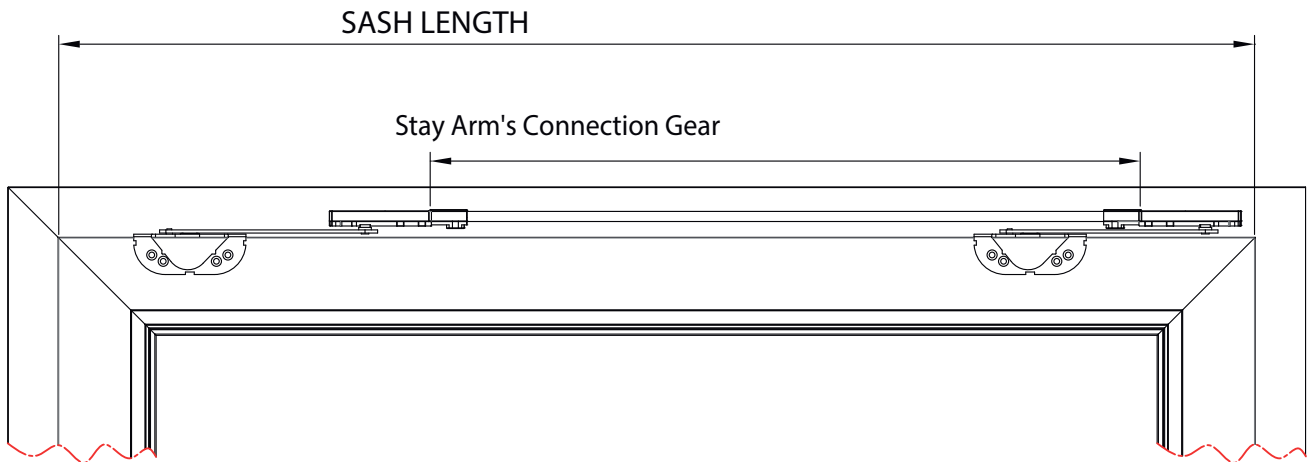
Top Stay Arm's Assembly

a- Top Stay Arms should be assembled according to the dimensions below.



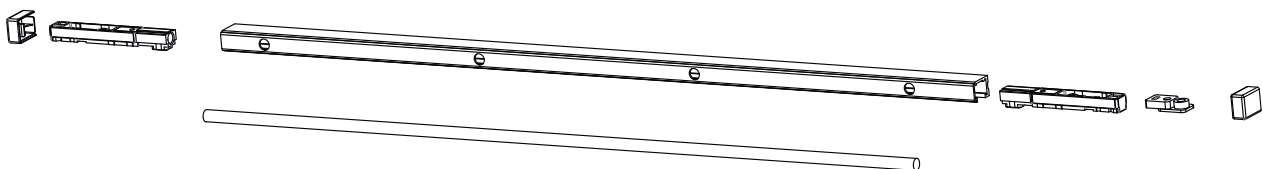
Top Stay Arm's Connection Gear Assembly

- a- If the sash length is over 120cm, then stay arm connection piece will be used
- b- Stay Arm sleds, Top Stay Arm's Connection Gear and rail end covers should be adjusted.



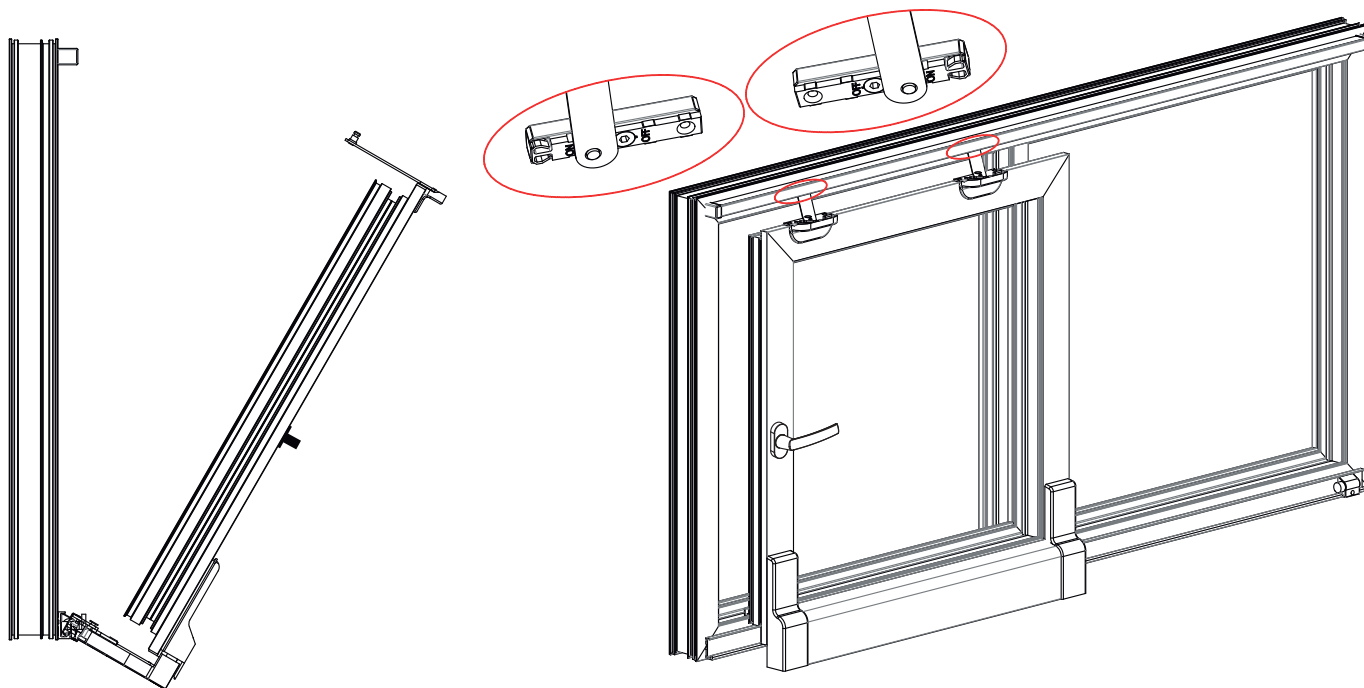
Stay Arm's Connection Gear Length Calculation Formula
 Top Stay Arm's Connection Gear = Sash Length - 255mm

c- Stay Arm sleds, Top Stay Arm's Connection Gear and rail end covers should be adjusted.



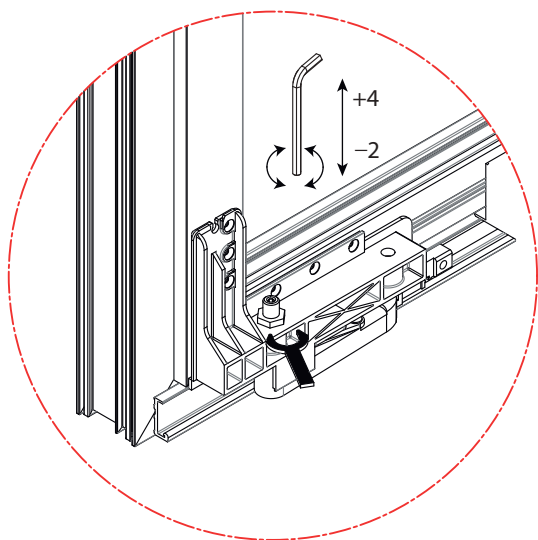
Mounting Sash on the rails of frame

- a- Sash should be adjusted on the Bottom Motion Rail on tilted position.
- b- The pins on top of Stay Arm should be assembled to the sled slots in the rails. You can make On and OFF at Stay Arm pins with a 4mm allen wrench.



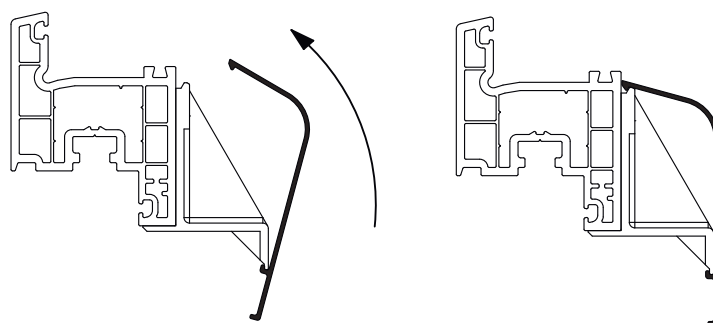
Sash Length Setup

- a- On top of front and back rollers, soften the turnscrew with a 19mm Allen wrench.
- b- Lift up the door in order to make height adjustment with a 4mm Allen wrench.
- c- When the adjustment is done, tighten the turnscrew.



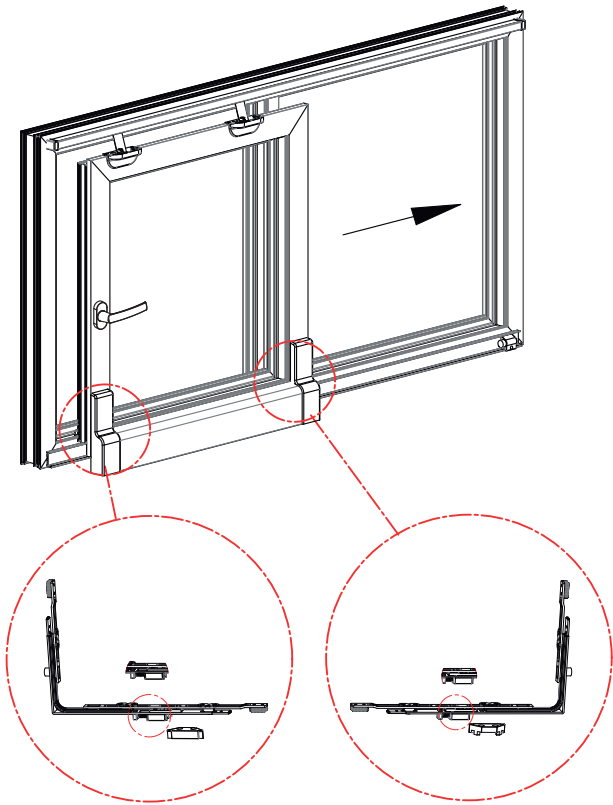
Cover Profile Assembly

- a- With a sensitive calculation, you can cut off the cover profile between front and back roller covers and assemble.



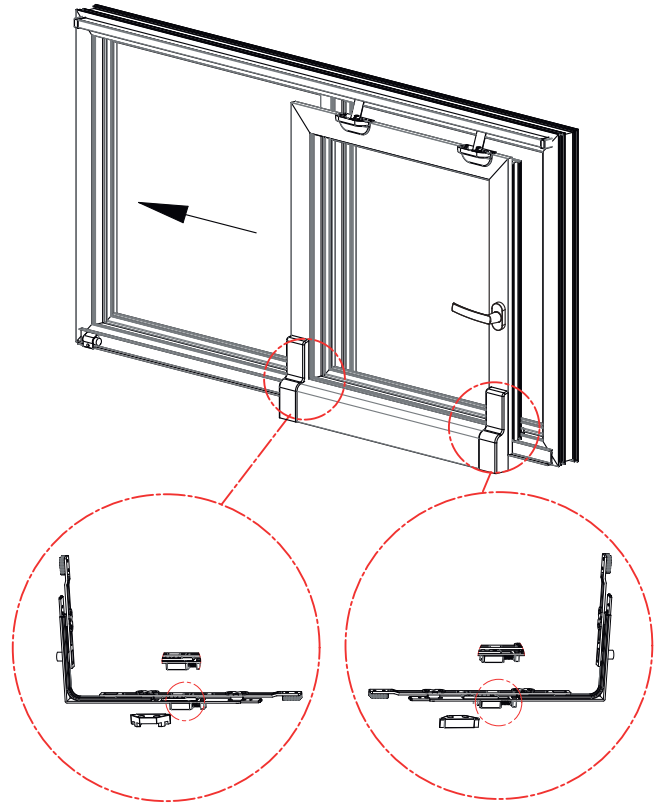
Semi-Automatic Parallel Sliding System (opens right)

a- In respect to the position of the spring assemble the Semi-Automatic Corner piece.



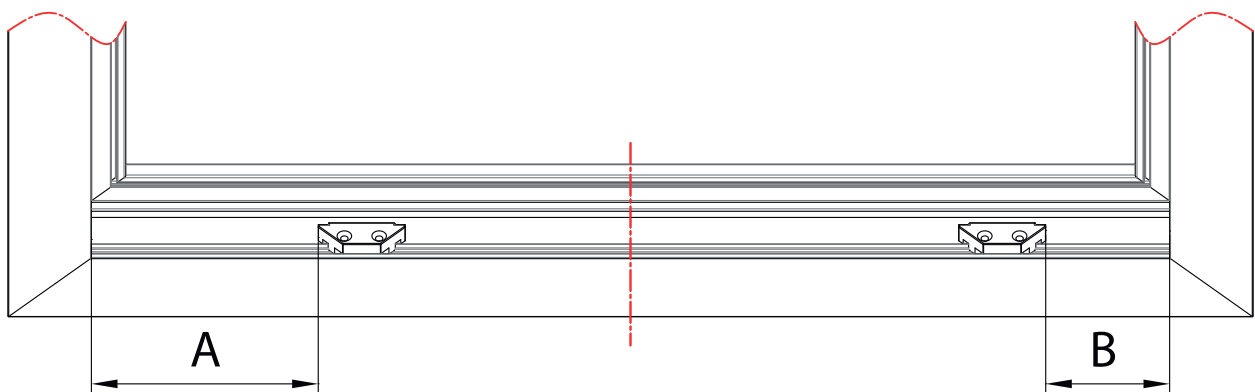
Semi-Automatic Parallel System (opens left)

a- In respect to the position of the spring assemble the Semi-Automatic Corner piece.



Semi-Automatic Corner Transmission Striker Assembly;

a- Semi-Automatic bottom pin striker will be assembled according to the system you like in respect to the table below.



System Name	A	B
Semi-Automatic Parallel Sliding System (closes left)	167	97
Semi-Automatic Parallel Sliding System (closes right)	97	167

Strength
Reliability
Security

Intelligent Solutions For Your Comfort

T / G / P



Technical
Catalog