

Description

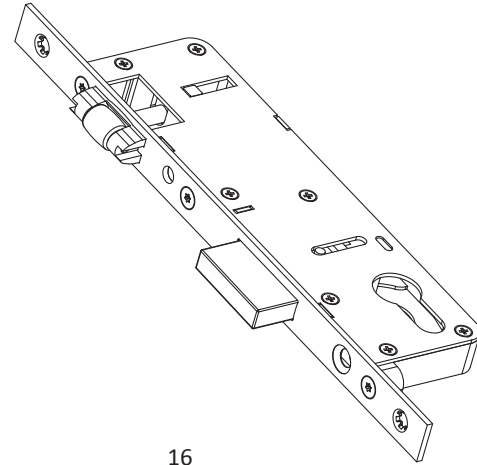
- Mortise locks require a pocket to be cut (mortised) into the door. They are heavy enough to support solid cast knobs and architectural handles.
- Locking is done by turning the key.
- The latch is reversible. Easy to change on left or right.

Technical Data

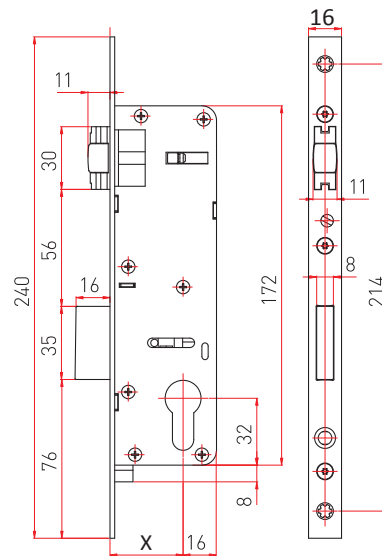
Operation : Key
 Backset (mm) : 20,25,30,35
 Faceplate (mm) : 16

Material Specification

Case : Steel and industrial plastic
 Latch : Zinc acc EN 1743-2 / zinc plated
 Deadbolt : Zinc acc EN 1743-2 / zinc plated



Technical Drawing



TGP Focus Mortise Lock, PVC, with roller

PG	Code	
T3	T-51000-00-20-1	20
T3	T-51000-00-25-1	25
T3	T-51000-00-30-1	30
T3	T-51000-00-35-1	35

PG	Code	Dimension	Description
T56	T-56000-10-0-1	100 mm	40/50
T56	T-56000-90-0-1	90 mm	42/38
T56	T-56000-80-0-1	80 mm	35/35

TGP Profile Cylinder, Brass, 6+6 Brass pins, 3 pcs brass computer keys, 1 pcs antidrill bar.

