

**Description**

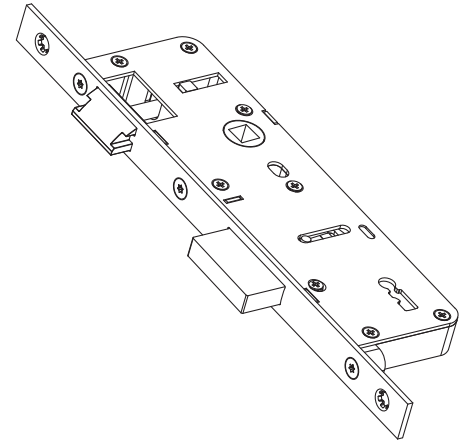
- Mortise locks require a pocket to be cut (mortised) into the door. They are heavy enough to support solid cast knobs and architectural handles.
- Locking is done by turning the key.
- The latch is reversible. Easy to change on left or right.

**Technical Data**

Operation : Key  
 Pz (mm) : 90  
 Backset (mm) : 20,25,30,35,40,45  
 Faceplate (mm) : 16

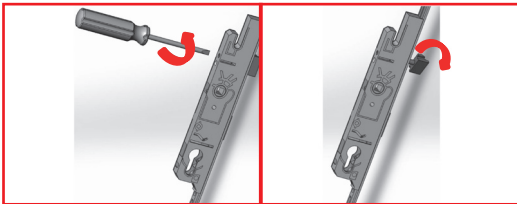
**Material Specification**

Case : Steel and industrial plastic  
 Latch : Zinc acc EN 1743-2 / zinc plated  
 Deadbolt : Zinc acc EN 1743-2 / zinc plated

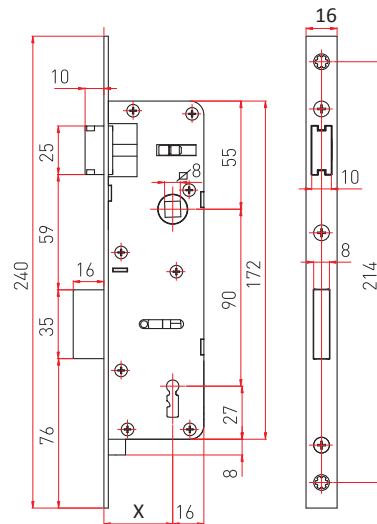
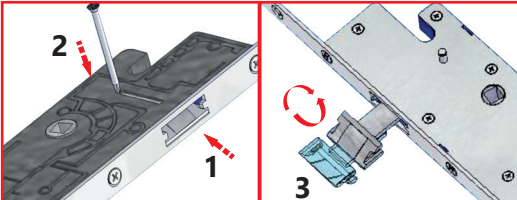


**Technical Drawing**

Backset (mm) : 20,25



Backset (mm) : 30,35,40,45



**TGP Focus Interior Mortise Lock, PVC**

PG	Code	
T3	T-52000-90-20-1	20
T3	T-52000-90-25-1	25
T3	T-52000-90-30-1	30
T3	T-52000-90-35-1	35
T3	T-52000-90-40-1	40
T3	T-52000-90-45-1	45

PG	Code	Dimension	Description
T56	T-56000-10-0-1	100 mm	40/50
T56	T-56000-90-0-1	90 mm	42/38
T56	T-56000-80-0-1	80 mm	35/35

TGP Profile Cylinder, Brass, 6+6 Brass pins, 3 pcs brass computer keys, 1 pcs antidrill bar.

