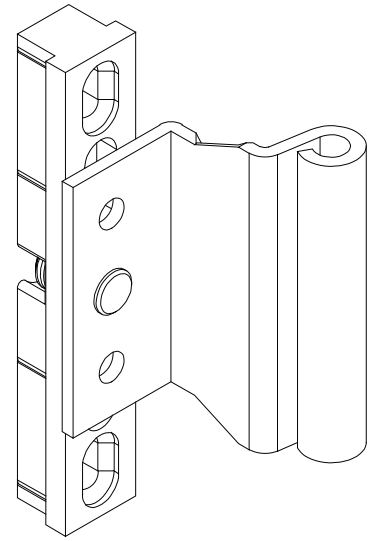


Description

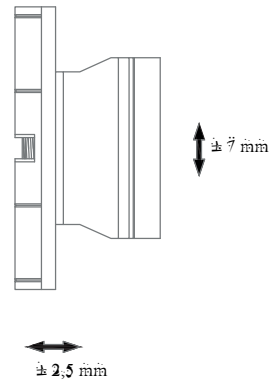
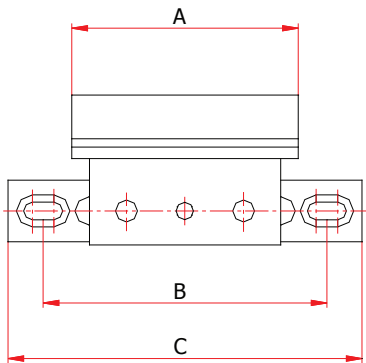
- Additional strength for heavy windows&doors.
- 9 mm and 13 mm options.



Material Specification

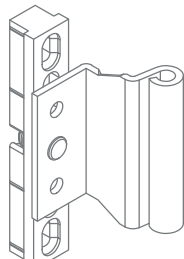
Body : Steel acc. EN 10149
 Surface : Corrosion resistance up to 500 hours acc. DIN 50021

Technical Drawing



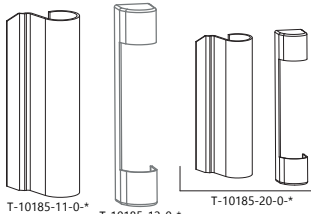
Middle Hinge

PG	Code		
T1	T-10196-09-0-1	9 mm	20
T1	T-10196-13-0-1	13 mm	20



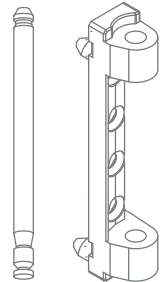
Covers

PG	Code	
T1	T-10185-11-0-*	100
T1	T-10185-12-0-*	100
T1	T-10185-20-0-*	100



Stay Arm Bearing

PG	Code	
T1	T-10186-03-0-1	20



Jig

PG	Code	
T1	T-10189-12-0-0	1

