

Description

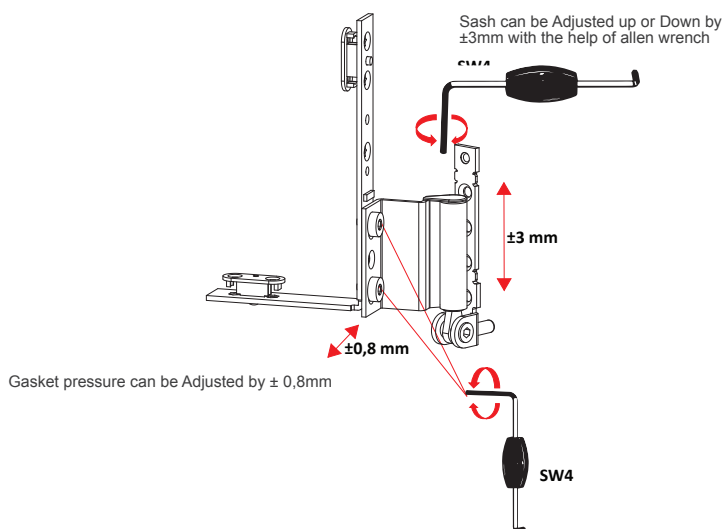
- Thanks to the rebate hinge, you do not need to use drilling jig (sash part). TGP T&T system can be assembled by using one jig (frame part), instead of 2 jigs.
- The gasket pressure adjustment 0,8 mm (+ / -) can be made by 4 mm allen key.
- The suitable positioning of the screw holes, 5 points, allows you to have firmly assembly of the hinge.
- Improved resistance with usage of steel hinge compared to zinc type of hinges.



Material Specification

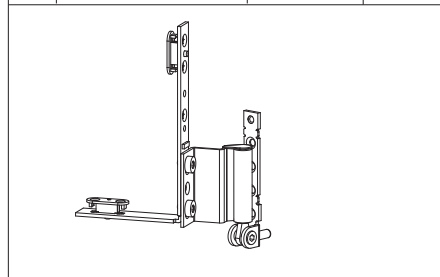
Body : Steel acc. EN 10149
 Surface : Corrosion resistance up to 500 hours acc. DIN 50021

Technical Drawing



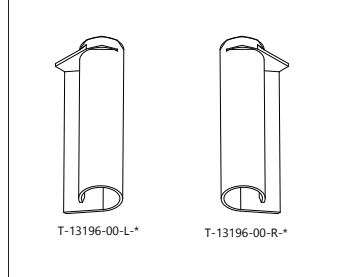
Rebate Hinge

PG	Code		
T1	T-13196-09-L-1	9 mm	20
T1	T-13196-09-R-1	9 mm	20
T1	T-13196-13-L-1	13 mm	20
T1	T-13196-13-R-1	13 mm	20



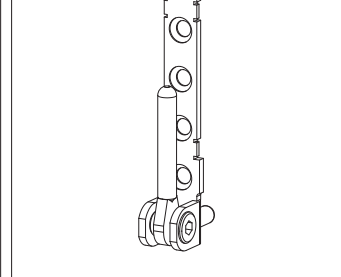
Covers

PG	Code	
T1	T-13196-00-L-*	100
T1	T-13196-00-R-*	100



Stay Arm Bearing

PG	Code	
T1	T-10186-02-0-1	20



Jig

PG	Code	
T1	T-10189-12-0-0	1

